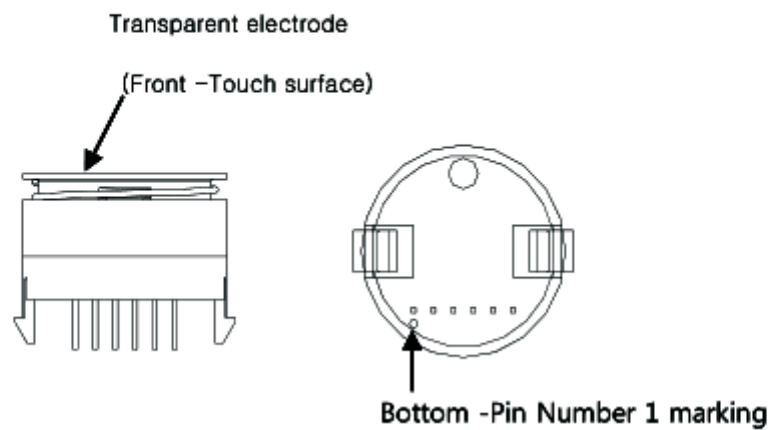


Specification V1

Preliminary



Module Type



Pin Description

PIN Number	Name	Description	Protection
1	Anode	LED (+) Pin	
2	Cathode	LED (-) Pin	
3	N.C	-	-
4	GND	Ground Pin	VDD
5	VDD	Power Pin	GND
6	OUT	Open Drain Output Pin	VDD/GND

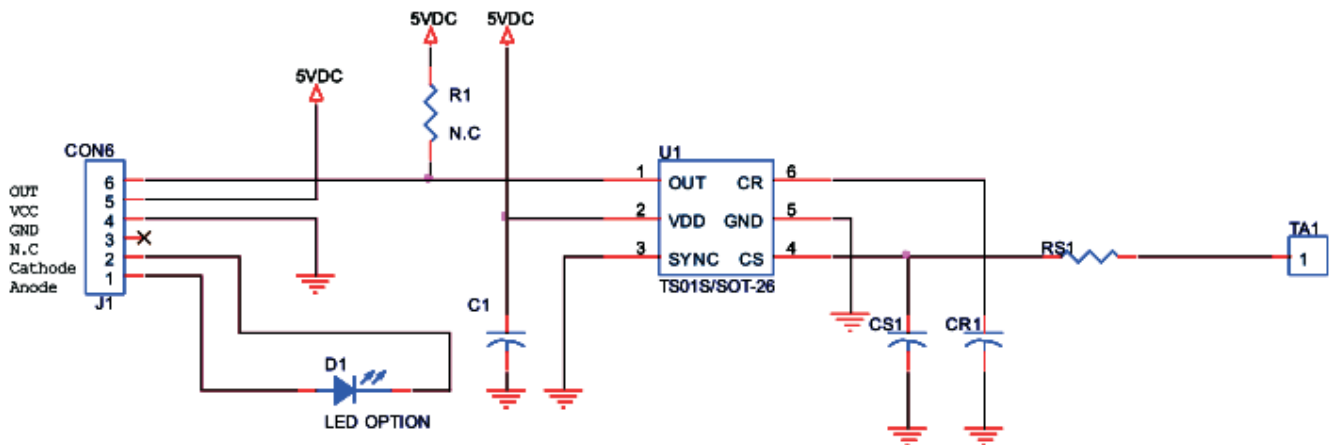
Absolute Maximum Rating

Supply voltage	5.5V
Continuous Power Dissipation	200mW
Storage Temperature	-20 ~ 85°C
Operating Temperature	-10 ~ 70°C
ESD protection	6000V

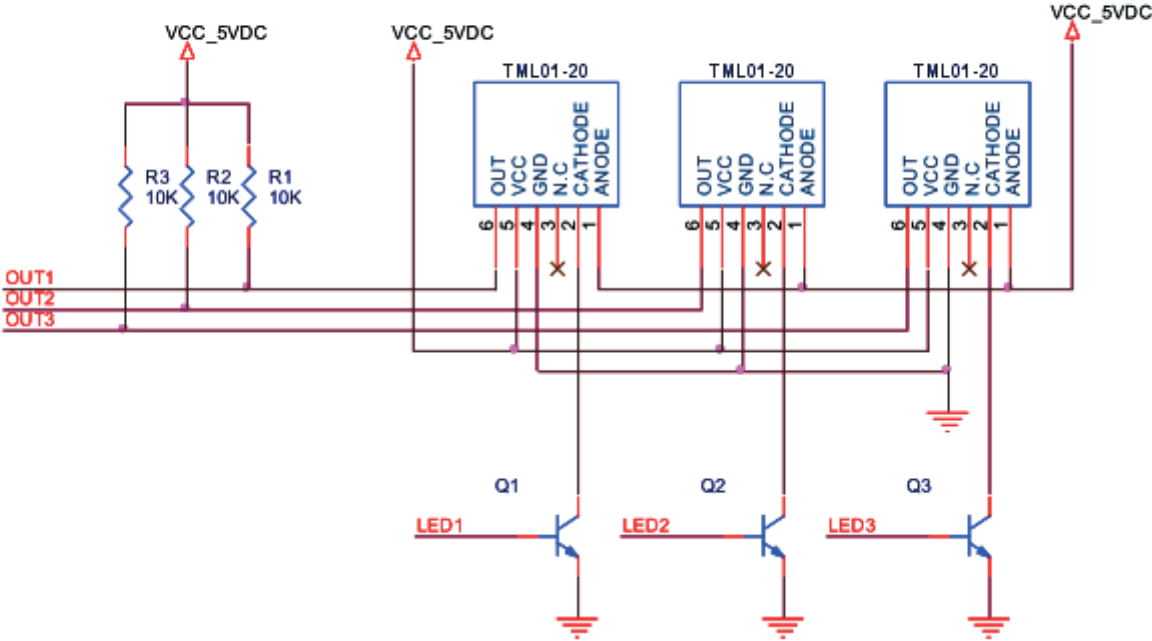
Electrical Characteristics (@T_A = 25°C)

Characteristics	Symbol	Condition	Min	Typ	Max	Units
Operating Voltage	Vdd		-	5.0	-	V
Current consumption	I _{dd}	VDD=5.0V		40	100	uA
Output Impedance (open drain)	Z _o	Vout=0.0V Vout=5.0v		12 30M		Ohm
Output Max. Sink Current	I _{sk,max}	VDD=5V			4.0	mA
Self calibration time	T _{cal}	power on reset, VDD=5.0V		200m		sec

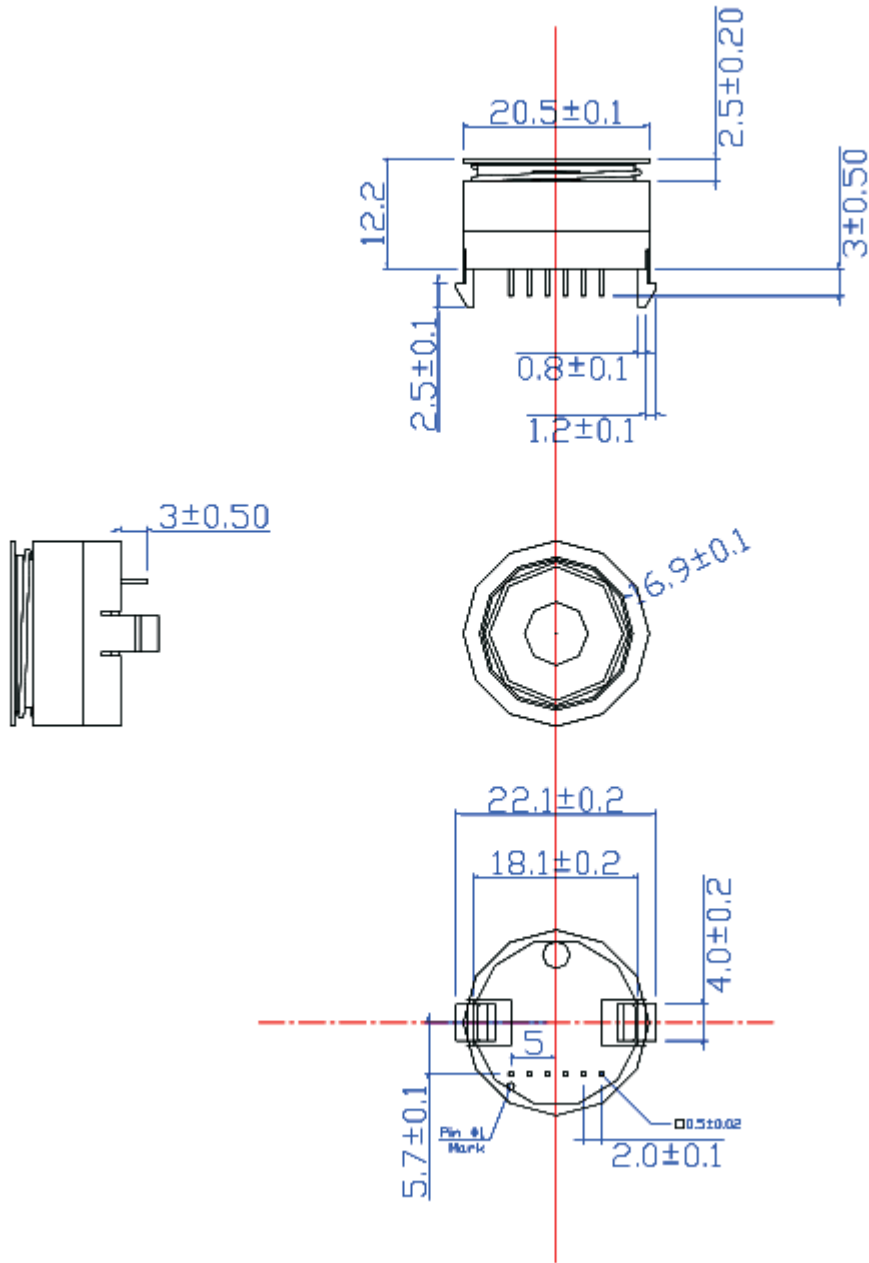
Schematic Diagram



Application Circuit



Physical Dimensions millimeters unless otherwise noted



LIFE SUPPORT POLICY

touchSEMI PRODUCTS ARE NOT AUTHORIZED FOR USE AS CRITICAL COMPONENTS IN LIFE SUPPORT DEVICES NOR SYSTEMS WITHOUT THE EXPRESS WRITTEN APPROVAL OF THE PRESIDENT AND GENERAL COUNSEL OF THE EPSILLON COMPANY.
touchSEMI IS MEMBER OF EPSILLON COMPANY.

touchSEMI Sales Office

touchSEMI

www.touchsemi.com

Tel.: (+420) 212247491

Fax: (+420) 212247466

**Na mokrině 45, 130 00 Prague 3
Czech Republic, EU**
